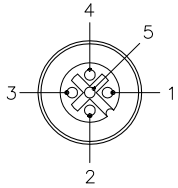
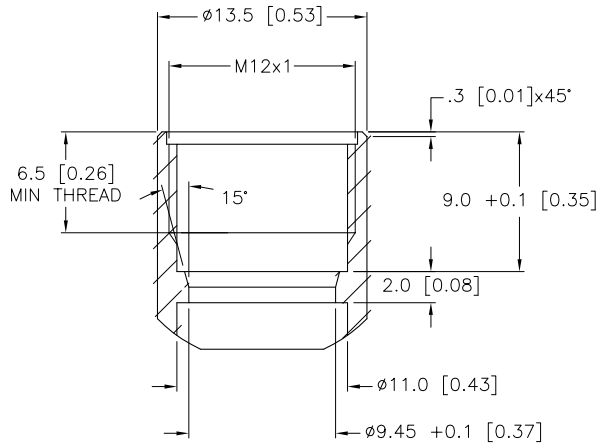
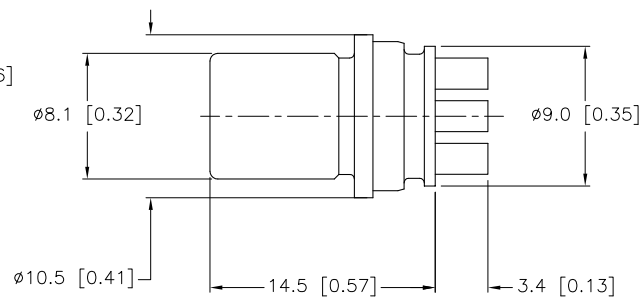
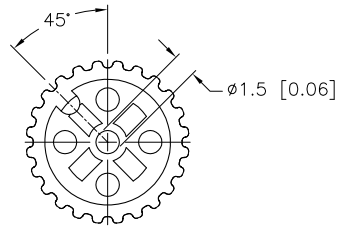


FEMALE END VIEW



SPECIFICATIONS

CONTACT CARRIER MATERIAL	NYLON OR TPU
CONTACT MATERIAL/PLATING	BRASS/GOLD, MACHINED FROM SOLID STOCK.
RATED CURRENT [A]	4.0 A
RATED VOLTAGE [V]	250 V
TEMPERATURE RATING	-40°C to +90°C (-40°F to +194°F)
PROTECTION CLASS	MEETS NEMA 1,3,4,6,13 AND IEC IP67



RECOMMENDED O-RING SIZE
7.0mm x 1.5mm
MOUNTING BORE
(TYPICAL)

SOURCE DRAWING - FOR REFERENCE ONLY

RELATED DOCUMENTS 1. 2. 3. 4.	3RD ANGLE PROJECTION 	THIS DRAWING IS CONFIDENTIAL AND THE PROPERTY OF TURCK INC. USE OF THIS DOCUMENT WITHOUT WRITTEN PERMISSION IS PROHIBITED.		3000 CAMPUS DRIVE MINNEAPOLIS, MN 55441 1-800-544-7769 (763) 553-7300 (763) 553-0708 fax turck.com	
		DRFT RWC	DATE 05/17/05	DESCRIPTION EWAK 4.5(10/BAG)	
MATERIAL SEE SPECIFICATIONS	ALL DIMENSIONS DISPLAYED ON THIS DRAWING ARE FOR REFERENCE ONLY	APVD	SCALE 1=.5	IDENTIFICATION NO. A9172	
FINISH SEE SPECIFICATIONS		UNIT OF MEASUREMENT MILLIMETERS		REV F	
		DO NOT SCALE THIS DRAWING		FILE: A9172	SHEET 1 OF 1

F	DRAWING PROCESSED AS PART OF ECO 37423	KMY	12/08/11	37423
REV	DESCRIPTION	BY	DATE	ECO NO.